

XBEAM™ Petroleum Canopy LED Luminaire



Jarvis XBEAM Series

CrossBeam™ optics improve site visibility from afar

LEDs are aimed in multiple directions to light up dispensers and surrounding areas

1 person installation

Glass lens never yellows

Patented pressure equalization system eliminates gasket fatigue

Competitors' Products

Optics are not optimized for sight visibility

LEDs are aimed straight down

2 person installation

Plastic lens yellows over time

Gaskets experience pressure cycling and can fail over time



Most Popular Models and Specifications:

Catalog #	Description	Input	Power	Lumens	CCT	CRI	PF
XBEAM-300-DM	CrossBeam™ Optic Canopy Luminaire w/ 0-10V Dimming - Prismatic Lens	120-277V 50/60Hz	77W	10,890 lm	5000K	≥ 73	≥ 0.9
XBEAM-400-DM	CrossBeam™ Optic Canopy Luminaire w/ 0-10V Dimming - Prismatic Lens	120-277V 50/60Hz	105W	13,110 lm	5000K	≥ 73	≥ 0.9
XBEAM-600-DM	CrossBeam™ Optic Canopy Luminaire w/ 0-10V Dimming - Prismatic Lens	120-277V 50/60Hz	147W	17,420 lm	5000K	≥ 73	≥ 0.9
XBEAM-600-HO-DM	CrossBeam™ Optic Canopy Luminaire w/ 0-10V Dimming - High Clarity Lens	120-277V 50/60Hz	150W	20,020 lm	5000K	≥ 73	≥ 0.9

Electrical

Input Voltage: 120-277V or 347-480V, 50/60Hz, Class 1 drivers.

Power Factor: >.9 at full load.

Total Harmonic Distortion: <20% full load.

Includes over voltage protection, over current protection, and short circuit protection.

Operating Temperature Range: -40°C to 45° C Ambient (-40°F to 113°F).

Over Temperature Protection: Light fixture automatically reduces power level when operating in higher temperatures to ensure componentry does not overheat. Full power levels are resumed automatically when temperatures return to rated operating range.

Controls and Dimming

The default XBEAM series “-DM” models have 0-10V dimming leads accessible outside the fixture body.

XBEAM series is compatible with most controls including motion sensors and photosensors.

Contact a Jarvis Representative for further information.

Construction and Materials

Single-piece die-cast aluminum housing cast from 383 (ADC12) alloy.

Patented design integrates LED optics and fixture mechanicals into a single structure that acts as both the heat sink and the fixture housing, resulting in increased thermal continuity and decreased componentry.

Die-cast housing features a powdercoat finish with UV protection to ensure longevity of color. Powdercoat finish is applied directly to aluminum housing and will not crack or peel. Standard color is white. Bronze and other colors are available. Contact factory for additional color information.

Lens construction is high-clarity prismatic borosilicate glass or high-clarity tempered glass. Internal PC reflector with metalized finish projects additional light outwards of the fixture. Fasteners are stainless-steel and will not rust or create rust-streaks.

Patented multi-chamber pressure equalization system is cast into the housing. Design relieves gaskets from fatigue due to thermal cycling.

Luminaire is manufactured in the US of US and Imported Parts.





Optical System

XBEAM's patented optics feature four large-format LEDs installed in the corners of the die-cast housing. LEDs are angled inwards and downwards so that the most intense part of each LED's light output is aimed in a wider pattern, typically where a fuel dispenser is located. Light emitted from each LED crosses the light emitted from other LEDs which creates a generally uniform light pattern with increased intensity along vertical surfaces of dispensers and canopy columns. LEDs are positioned to take advantage of the natural light dispersion of each LED, eliminating the need for secondary optics.

Regulatory and Voluntary Qualifications

ETL listed to UL1598 and UL8750 for both US and Canada.

American Recovery and Reinvestment Act Funding Compliant.

State of California Title 24 Compliant when installed in accordance with local requirements.

DesignLights Consortium® (DLC) Premium qualified product. Not all versions of this product may be DLC qualified. Please check the DLC Qualified Products List at www.designlights.org/QPL to confirm which versions are qualified.

Rated for Wet and Dry Locations.

Approved for under-canopy use and for direct-mount installation to metal canopy structures.

Not for use in corrosive environments. Contact factory for additional information regarding corrosive environments.

Warranty and Lifetime

XBEAM Series carries a 10-year limited warranty. Contact Jarvis representative for details.

Projected LED lifetime exceeds 75,000-100,000 hours under most operating conditions. Lifetime projections are calculated using data including LM-79, LM-80 and TM-21 calculations. Contact Jarvis representative for details.

Installation

Luminaire installs into standard 12" and 16" canopy deck pans by drilling a 2" hole in the center of the location where the luminaire is to be installed. Luminaire is attached to canopy using stainless-steel self-tapping screws (provided with luminaire.) Integrated gaskets on top side of luminaire automatically seal canopy during most installations. XBEAM series features a 3/4" NPT female threaded connection on top of the fixture. Luminaire is provided with 10" of wire exiting through this sealed connection. Typical wiring method is to attach a 4" conduit section to this threaded connection and to install a weatherproof box on top of this conduit. Electrical connections are made inside weatherproof box.

Luminaire may also be pendant-mounted in accordance with local requirements.

Contact a Jarvis Representative for full installation instructions, videos or additional information.

Retrofit Applications

XBEAM Series is designed to work in both new installations and retrofit installations. A variety of retrofit kits are available which allow XBEAM Series to retrofit into virtually any existing canopy light. Some retrofit applications may not require additional kits and installations may be accomplished without any additional luminaire hardware. Contact a Jarvis representative for more info and for advice regarding specific applications.

Accessories:

Part Number	Description
ACR205	Canopy Retrofit Panel for 20.5" square lights
ACR2075	Canopy Retrofit Panel for 20.75" square lights
ACR215	Canopy Retrofit Panel for 21.5" square lights
ACR22	Canopy Retrofit Panel for 22x13" rectangular lights
ACR22.5	Canopy Retrofit Panel for 22.5" square lights
ACB235	Blank Out Panel – 23.5" square – To 'blank out' and cover stain from removed 2x2 lights
ACC235	Cover Panel – 23.5" square – Panel is for use when removing an existing 2x2 light and installing an XBEAM series directly to the canopy. Panel covers existing stain left by removed 2x2 light

Photometrics

Photometric information, including LM-79 reports and .IES files are available for most models at www.jarvislighting.com.

Site photometrics and lighting layouts are available.

Contact a Jarvis representative.

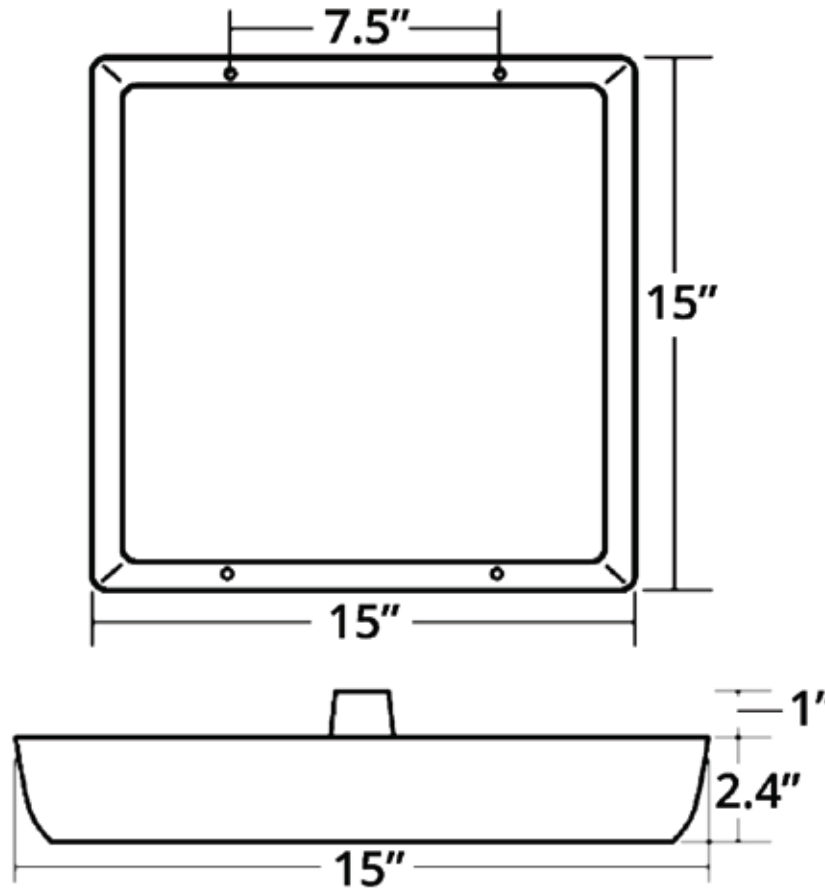


Product Weight:

Model	Net Weight
XBEAM Series	12.8 lbs



Dimensions:



BRIGHT DONE RIGHT™

